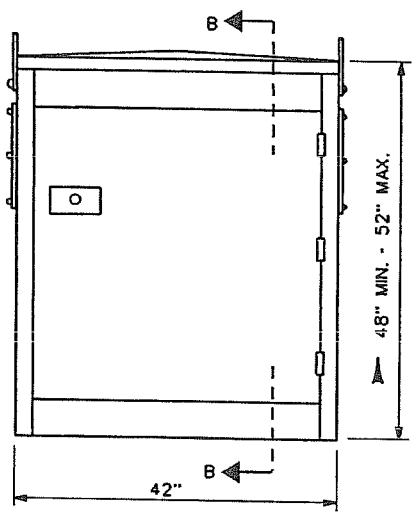
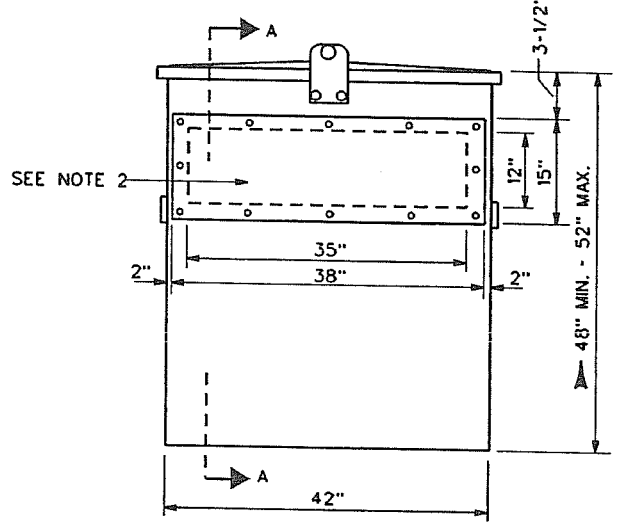


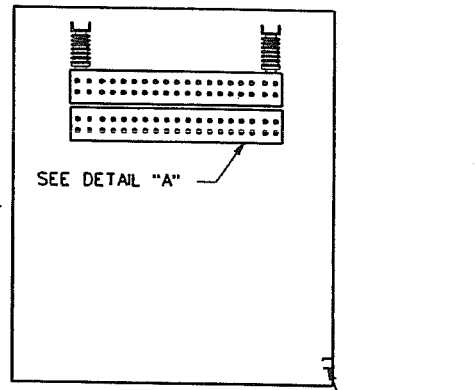
REFERENCES
GR&S UG.
STD. 6-20
SEC. 4



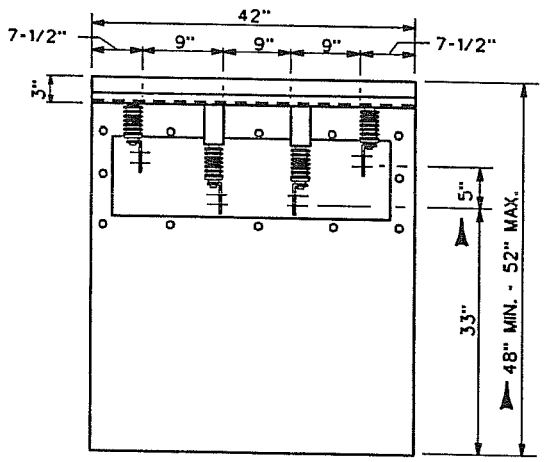
FRONT VIEW  
&  
REAR VIEW



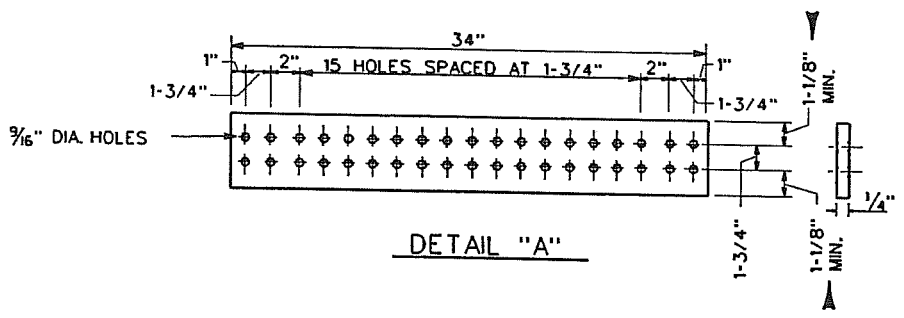
SIDE VIEW



SECTION A-A  
GROUNDING LUG



SECTION B-B



DETAIL "A"

▲ DENOTES LATEST REVISION

4			
3			
2	S.J.H	2-18-10	CHANGED THIS PAGE TO 1 OF 3
1	LAC	3-19-09	ADD & REVISED DIMENSIONS
NO.	CK'D	DATE	REVISION

# PAD-MOUNTED SECONDARY CABINET

*Chip S. Whitworth*  
MGR: STD'S  
APPR. DATE 2-18-10  
SUPERSEDES 12-26/3-19-09