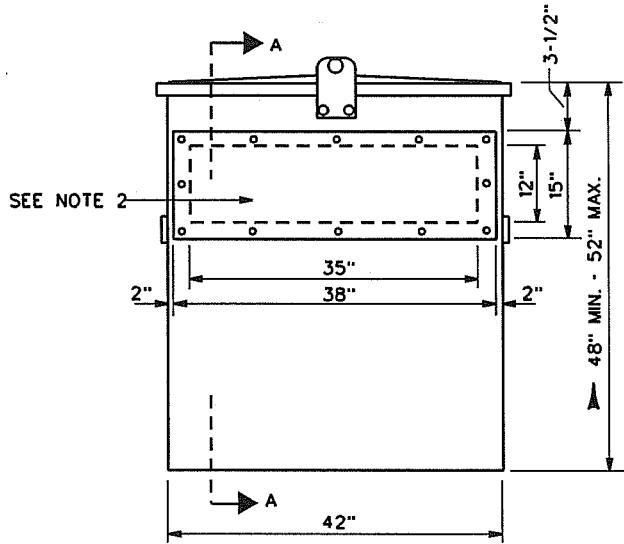
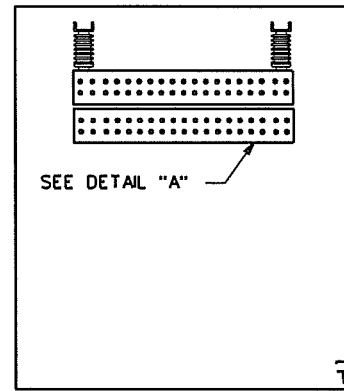


FRONT VIEW
&
REAR VIEW

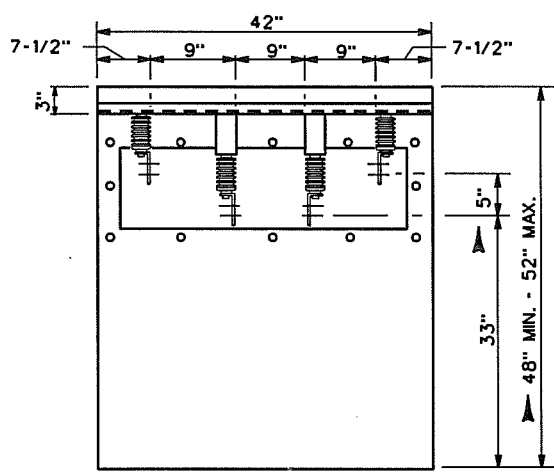


SIDE VIEW

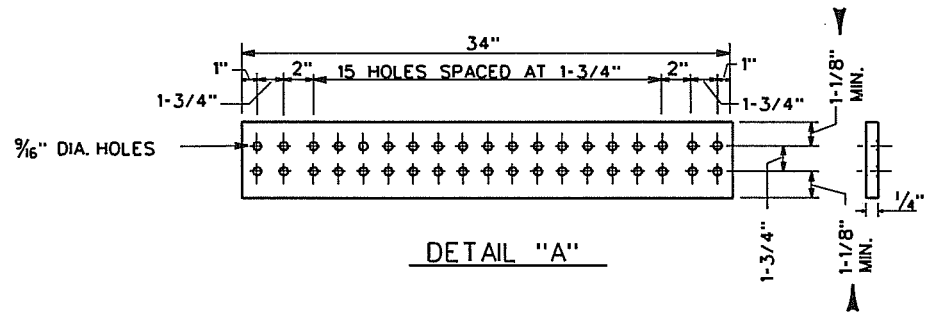


SECTION A-A

GROUNDING
LUG



SECTION B-B



DETAIL "A"

◀ DENOTES LATEST REVISION

4			
3			
2			
1	LEC	3-19-09	ADD & REVISED DIMENSIONS
	NO.	CK'D	DATE
			REVISION

PAD-MOUNTED SECONDARY CABINET

MGR: STD'S
APPR. DATE 3-19-09
SUPERSEDES 12-26/9-21-00

Bob Shindig