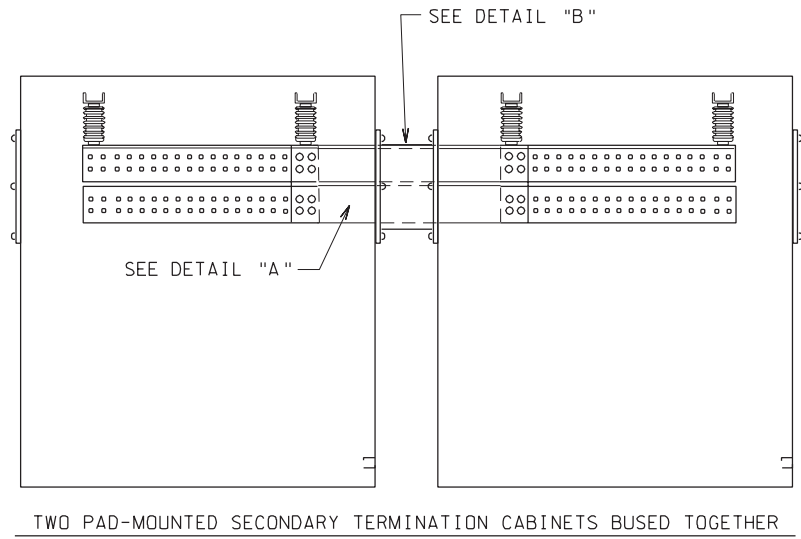
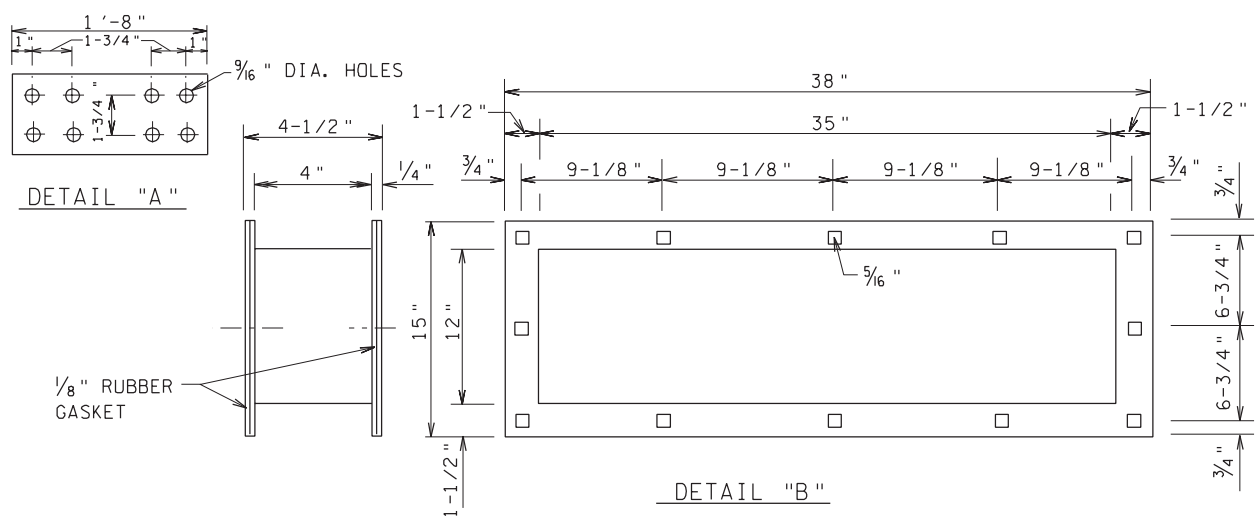


|            |
|------------|
| REFERENCES |
| GR&S UG.   |
| STD. 6-20  |
| SEC. 4     |



TWO PAD-MOUNTED SECONDARY TERMINATION CABINETS BUSED TOGETHER



NOTES:

1. USE TEC NO. 5530100 TO ORDER PAD-MOUNTED SECONDARY CABINET.
2. REMOVEABLE PANEL TO FACILITATE BUSSING CABINETS TOGETHER.
- 3. USE TEC NO. 2001015 PRECAST CONCRETE PAD FOR SINGLE PAD-MOUNTED SECONDARY CABINET. FOR MULTIPLE UNITS USE (2) PRECAST PADS OR IF UNAVAILABLE USE POURED IN PLACE PAD PER M-DRAWING M-458.
4. USE THROAT AND BUS MOUNTING KIT TEC NO. 5530710 FOR BUSSING CABINETS TOGETHER.
5. THE PAD-MOUNTED SECONDARY CABINET BUS BAR WILL ACCEPT AS MANY AS (30)-THIRTY CONDUCTORS PER PHASE. THE TWO POSITIONS ON EITHER END OF EACH BUS BAR SHOULD BE LEFT OPEN IN CASE FUTURE BUSSING OF ANOTHER UNIT IS REQUIRED. IF BUSSING OF MORE THAN ONE CABINET IS NOT EXPECTED THESE TWO POSITIONS MAY BE USED FOR CABLE TERMINATIONS INCREASING THE TOTAL CONDUCTORS PER PHASE TO 38.

➤ DENOTES LATEST REVISION

|            |                |
|------------|----------------|
| MGR: STD'S |                |
| APPR. DATE | 9-21-00        |
| SUPERSEDES | 12-26/10-19-89 |

PAD-MOUNTED SECONDARY CABINET