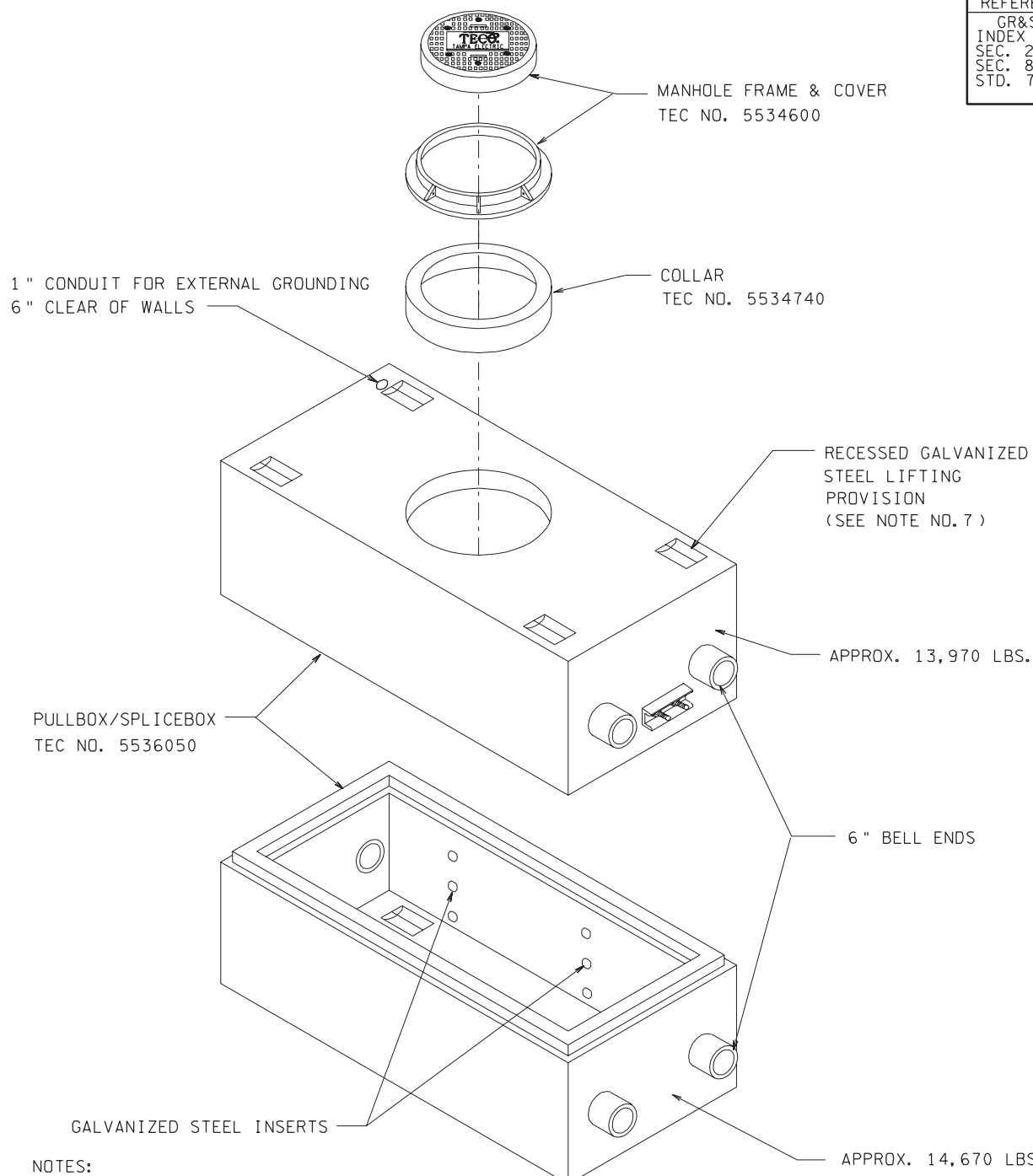


REFERENCES
GR&S UG,
INDEX
SEC. 2
SEC. 8
STD. 7-15



- NOTES:
1. BOX WEIGHS APPROX. 28,640 LBS.
 2. SPECIFY TECO NO. 5536050 FOR 2 PIECE BOX.
 3. SPECIFY TECO NO. 5534600 FOR MANHOLE FRAME AND COVER.
 4. SPECIFY TECO NO. 5534740 FOR 6" COLLAR USED TO RAISE GRADE, WHEN REQUIRED.
 5. BOX HAS FOUR 6" BELL ENDS CAST INTO EACH END.
 6. ARRANGEMENT SHALL BE MADE THROUGH A DESIGNATED COORDINATOR IN EACH AREA TO NOTIFY SUPPLIER WHEN AND WHERE TO HAVE BOX SET. IN THE EVENT OF A CHANGE OF PLANS, THE SUPPLIER MUST BE NOTIFIED BY THE DESIGNATED AREA COORDINATOR.
 7. RECESSED LIFTING PROVISION SHALL BE GROUTED IN FLUSH WITH TOP OF COVER AND FLOOR.
 8. ON SITE CONTRACTOR SHALL INSTALL EXTERNAL DRIVEN GROUNDS, MAKE-UP GROUND WIRE TO DRIVEN RODS, AND INSTALL GROUND WIRE INTO MANHOLE AND SEAL, CONTRACTOR TO MEASURE GROUND EARTH RESISTANCE TO BE 25 OHMS OR LESS.
 9. USE CURB MARKER TEC NO. 5559800 ON CURB TO INDICATE MANHOLE/HANDHOLE LOCATION. CURB MARKERS SHOULD BE INSTALLED USING ADHESIVE TEC NO. 5850570.
- ▲ DENOTES LATEST REVISION

PRECAST 5' X 10'-6" X 7' CONCRETE
PULLBOX/SPLICEBOX AND ACCESSORIES

MGR: STD'S	
APPR. DATE	4-16-98
SUPERSEDES	6-3/1-16-97