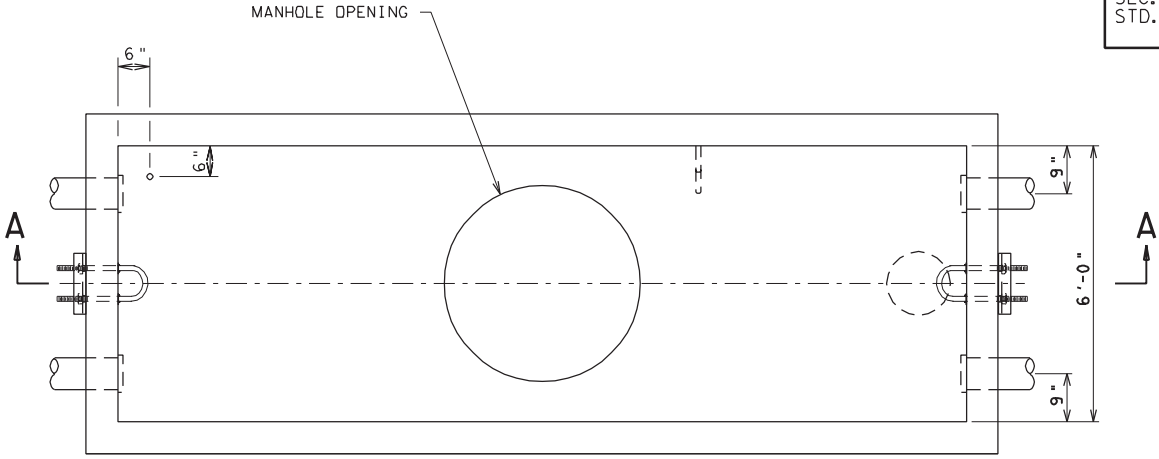
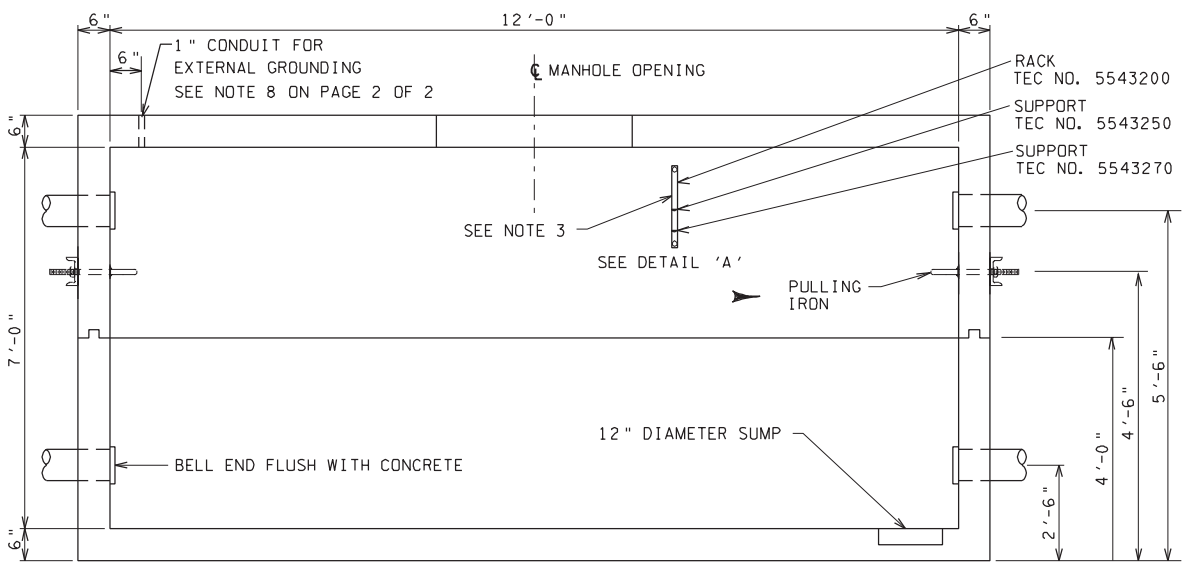


REFERENCES
GR&S UG,
INDEX
SEC. 2
SEC. 8
STD. 7-15

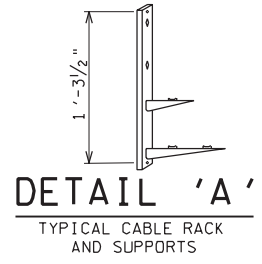


**PLAN VIEW**



**SECTION A-A**

- NOTES:
1. BOX WILL ACCOMMODATE (4) FOUR 1000 MCM PRIMARY CIRCUITS.
  2. WHEN INSTALLING PRIMARY CABLE, USE LOWER CONDUIT AND RACKS FIRST THIS ALLOWS SAFE WORKING ROOM FOR FUTURE CIRCUITS.
  3. CABLE RACKS AND SUPPORTS TO BE INSTALLED AS NEEDED TO SUPPORT CABLE.
  4. LOAD CLASS H20 RATING. (H20 RATING IS 32,000 LBS. SINGLE AXLE LOAD OVER A 10" X 20" AREA.)
  5. USE ONLY WHEN APPROVED BY T&D ENGINEERING.



▲ DENOTES LATEST REVISION

MGR: STD'S
APPR. DATE 1-16-97
SUPERSEDES 6-4/3-16-95

**PRECAST 6' X 12' X 7' CONCRETE PULLBOX/SPLICEBOX**