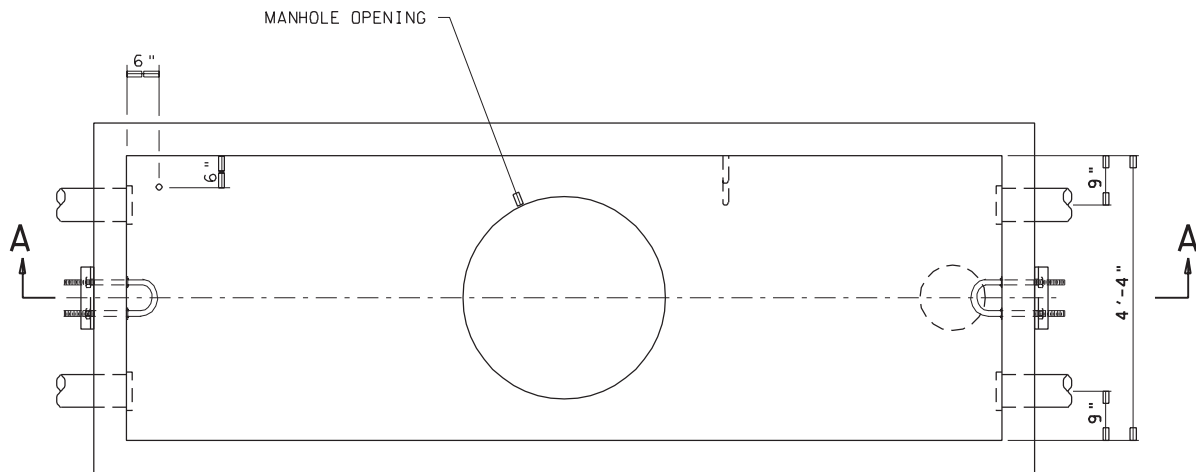
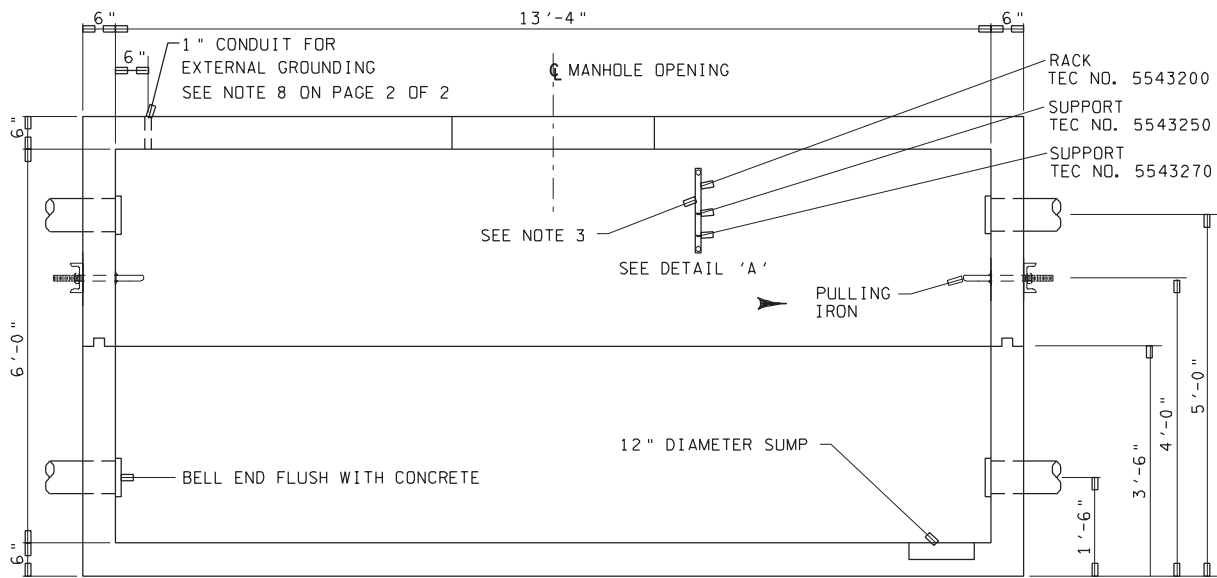


REFERENCES	
GR&S - UG	INDEX
SEC. 2	SEC. 6
SEC. 6	STD. 7-15



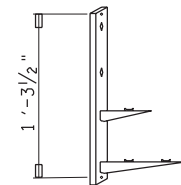
PLAN VIEW



SECTION A-A

NOTES:

1. BOX WILL ACCOMMODATE (1) ONE 3 PHASE 1000MCM PRIMARY CIRCUIT.
2. WHEN INSTALLING PRIMARY CABLE, USE LOWER CONDUIT AND RACKS.
3. CABLE RACKS AND SUPPORTS TO BE INSTALLED AS NEEDED TO SUPPORT CABLE.
4. LOAD CLASS H20 RATING. (H20 RATING IS 32,000 LBS. SINGLE AXLE LOAD OVER A 10" X 20" AREA.)



DETAIL 'A'
TYPICAL CABLE RACK AND SUPPORTS

◀ DENOTES LATEST REVISION

MGR, STD'S	
APPR. DATE	1-16-97
SUPERSEDES	6-5/3-16-95

PRECAST 4'-4" X 13'-4" X 6'-0" CONCRETE PULLBOX / SPLICEBOX