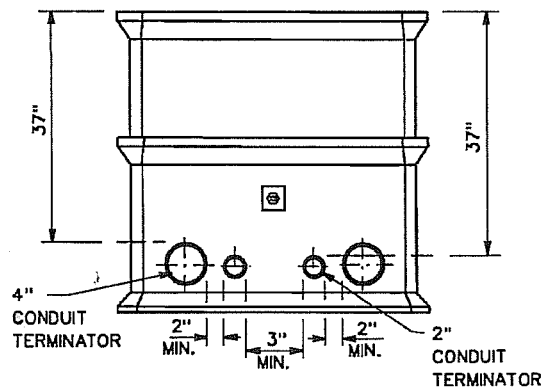
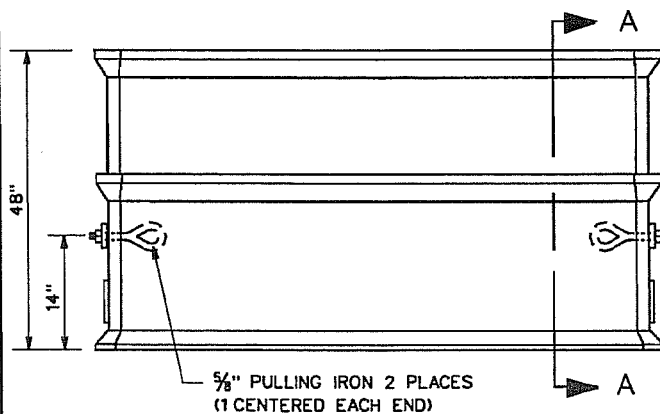
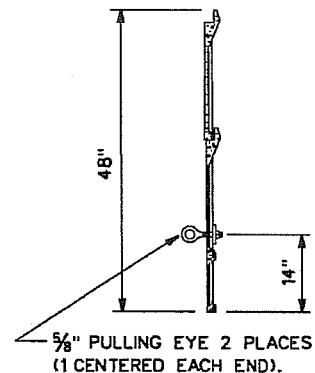
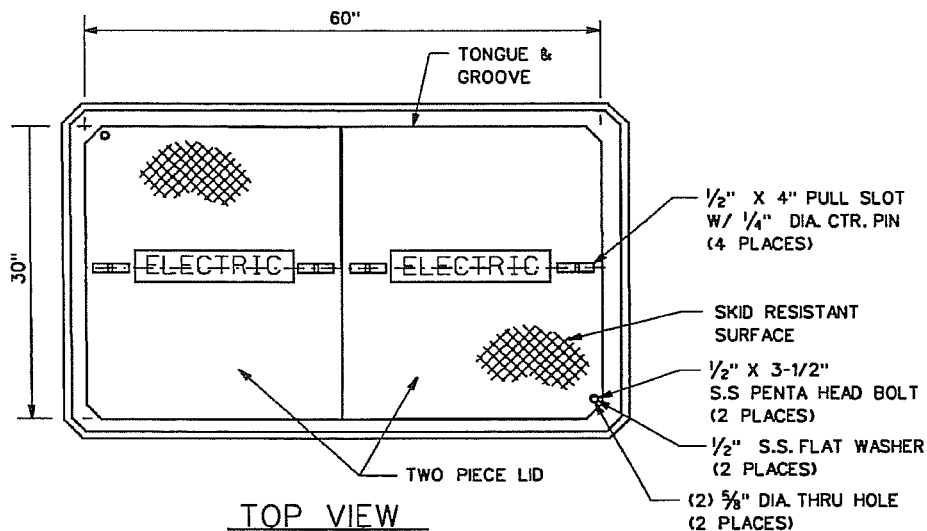


NOTES:

1. BOX WILL ACCOMMODATE (2) THREE-PHASE 1/0 OR 4/0 CIRCUITS AND (2) SINGLE-PHASE CIRCUITS.
2. USE TEC NO. 5536010 TO ORDER COMPLETE PULLBOX; TEC NO. 5536015 FOR TOP 1/2 ONLY.
3. BOTTOM OF PULLBOX TO BE FILLED WITH 3" OF GRAVEL.
4. THIS BOX MAY BE USED IN PLACE OF THE 2' X 5' POURED IN-PLACE PULLBOX.
5. THIS PULLBOX IS NOT FULL TRAFFIC RATED. THIS ASSEMBLY IS RATED FOR A STATIC DESIGN LOAD OF 8,000 LBS. OVER A 10" X 10" AREA AND MUST PASS A STATIC TEST LOAD OF 17,680 LBS.
6. USE CURB MARKER TEC NO. 5559800 ON CURB TO INDICATE MANHOLE/HANDHOLE LOCATION. CURB MARKERS SHOULD BE INSTALLED USING ADHESIVE TEC NO. 5850570.
7. CREWS SHALL INSTALL GROUND RODS, MAKE-UP GROUND WIRE FROM SPLICE AND MEASURE GROUND EARTH RESISTANCE TO BE 25 OHMS OR LESS. GROUND ROD LOCATION TO BE INSIDE ONE OF THE (4) CORNERS OF THE PULLBOX.



TEC NO. 5536010

◀ DENOTES LATEST REVISION

NO.	CK'D	DATE	REVISION
3			
2	MEM	4-17-03	NOTES 5 AND 7 WERE REVISED.
1	MEM	4-17-03	THE POLYMER PULLBOX WAS REPLACED WITH A 3 PIECE BC

30" x 60" x 48" POLYMER CONCRETE PULLBOX

MGR: STD'S
APPR. DATE 4-17-03
SUPERSEDES 6-7/4-16-98