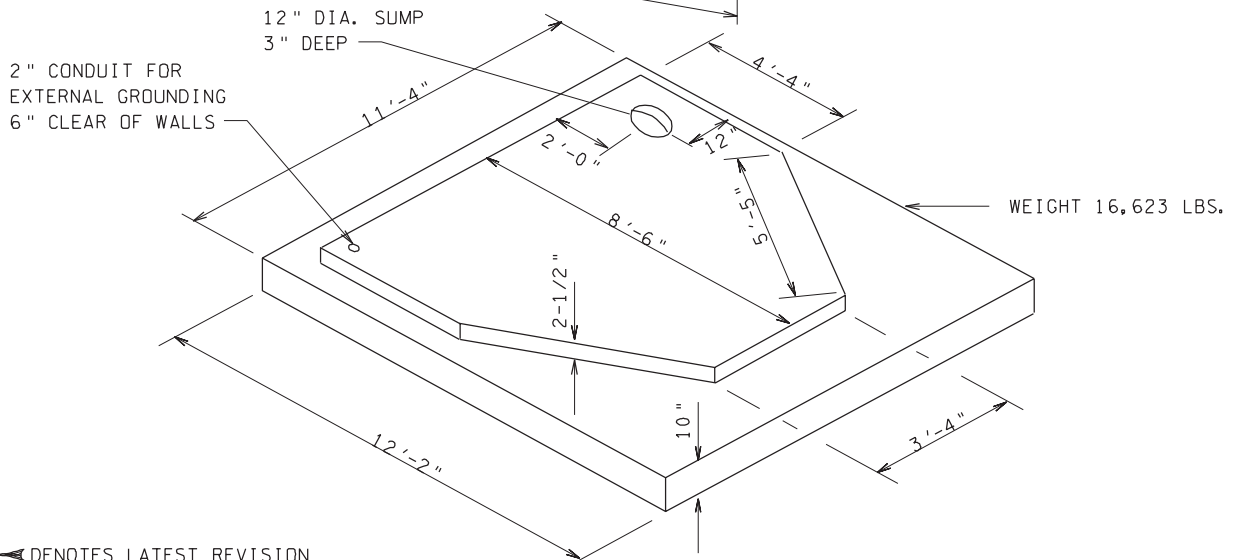
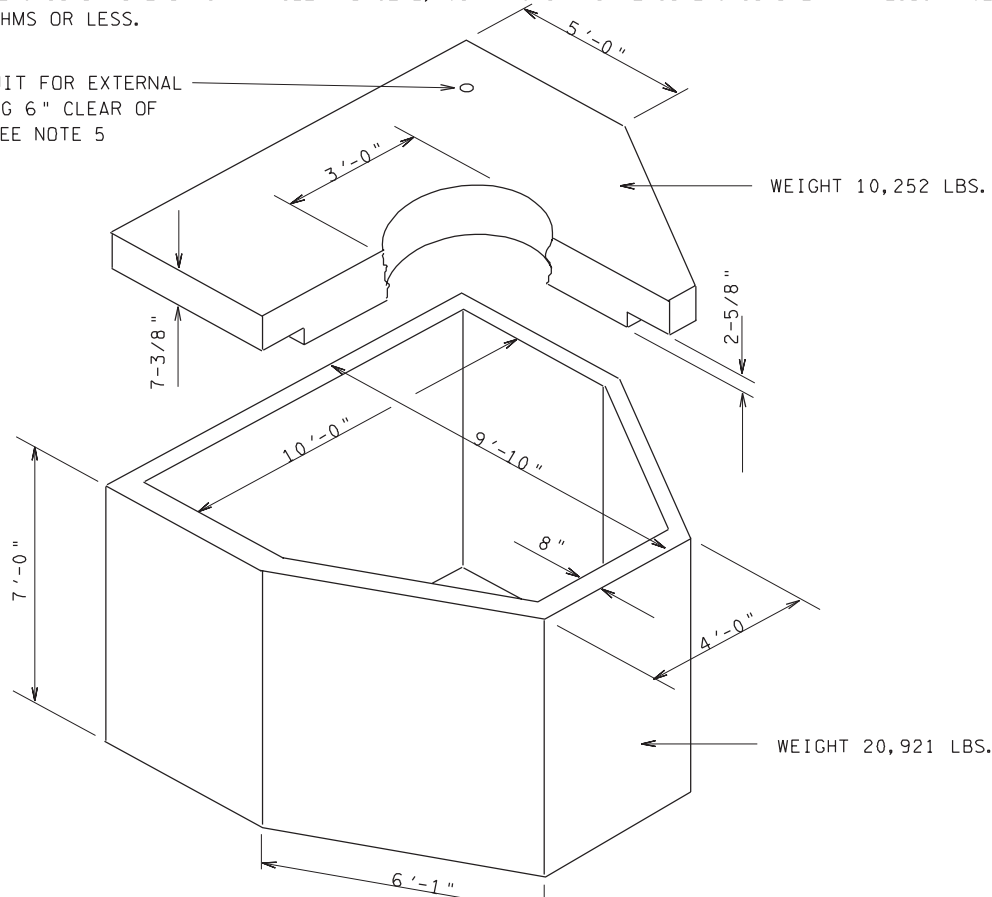


NOTES:

1. SPECIFY TEC NO. 5534530 FOR THREE PIECE MANHOLE.
2. ALL CONDUIT OPENINGS SHALL BE SPECIFIED BY THE ENGINEER.
3. ARRANGEMENTS SHALL BE MADE THROUGH A DESIGNATED COORDINATOR IN EACH AREA TO HAVE THIS BOX SET. THE SUPPLIER WILL NOT SET THIS BOX IN PLACE. HE WILL DELIVER IT TO THE JOB SIT IF ARRANGED IN ADVANCE.
- ▶ 4. USE CURB MARKER TEC NO. 5559800 ON CURB TO INDICATE MANHOLE/HANDHOLE LOCATION. CURB MARKERS SHOULD BE INSTALLED USING ADHESIVE TEC NO. 5850570.
5. ON SITE CONTRACTOR SHALL INSTALL EXTERNAL DRIVEN GROUNDS, MAKE-UP GROUND WIRE TO DRIVEN RODS, AND INSTALL GROUND WIRE INTO MANHOLE AND SEAL, CONTRACTOR TO MEASURE GROUND EARTH RESISTANCE TO BE 25 OHMS OR LESS.

1" CONDUIT FOR EXTERNAL GROUNDING 6" CLEAR OF WALLS SEE NOTE 5



▶ DENOTES LATEST REVISION

PRECAST 10'-0" X 8'-6" X 7'-0"  
T-TYPE MANHOLE

MGR; STD'S  
APPR. DATE 4-16-98  
SUPERSEDES 6-8/10-18-90

6-8

TAMPA ELECTRIC CO.

STANDARDS

GENERAL RULES & SPECIFICATIONS UG.