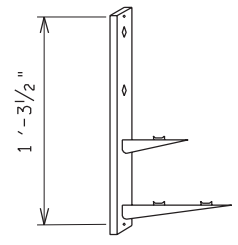
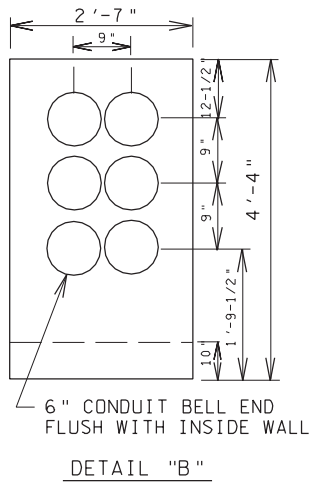
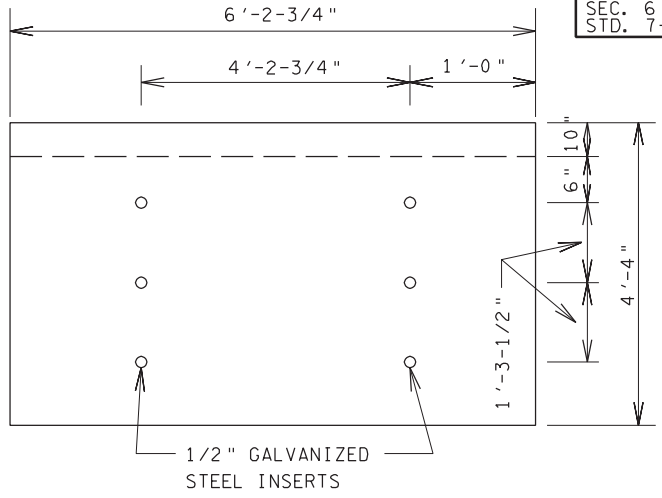
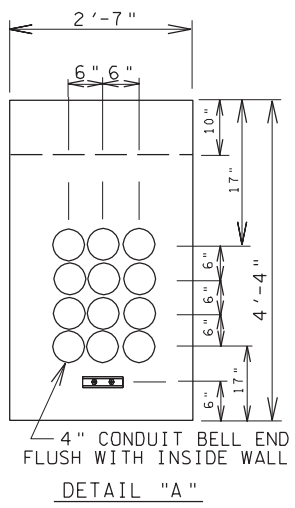


REFERENCES	
GR&S UG.	
SEC. 2	
SEC. 6	
STD. 7-15	



NOTES:

1. PULLING EYES TEC NO. 5531870 OPPOSITE OF EACH DUCT BANK.
2. A TEMPORARY PULLING EYE WILL BE ATTACHED TO SL LIFTING EYE ANCHOR 5 TON 3/4" X 4-3/4" IN CENTER OF FLOOR. (THIS IS NOT TO BE USED TO LIFT BOX).
3. GALVANIZED STEEL INSERTS ON ALL 6'-2-1/2" WALLS FOR CABLE RACKS IN TOP & BOTTOM SECTIONS.
4. USE CABLE RACKS & SUPPORTS AS NEEDED TO SUPPORT/RACK CABLE.
5. H 20 LOAD CLASS
6. ARRANGEMENTS SHALL BE MADE THROUGH A DESIGNATED COORDINATOR IN EACH AREA TO NOTIFY SUPPLIER WHEN AND WHERE TO HAVE BOX SET. IN THE EVENT OF A CHANGE OF PLANS, THE SUPPLIER MUST BE NOTIFIED BY THE DESIGNATED AREA COORDINATOR.
7. SPECIFY TEC NO. 5534600 FOR MANHOLE FRAME AND COVER.
8. A MINIMUM OF (2) TWO AND A MAXIMUM OF (8) EIGHT PRECAST COLLARS, TEC NO. 5534740, SHOULD BE USED WITH EACH PRECAST PULLBOX/SPLICEBOX INSTALLATION.
9. ON SITE CONTRACTOR SHALL INSTALL EXTERNAL DRIVEN GROUNDS, MAKE-UP GROUND WIRE TO DRIVEN RODS, AND INSTALL GROUND WIRE INTO MANHOLE AND SEAL, CONTRACTOR TO MEASURE GROUND EARTH RESISTANCE TO BE 25 OHMS OR LESS.
- 10. USE CURB MARKER TEC NO. 5559800 ON CURB TO INDICATE MANHOLE/HANDHOLE LOCATION CURB MARKERS SHOULD BE INSTALLED USING ADHESIVE TEC NO. 5850570.

➤ DENOTES LATEST REVISION

7'-0" HEAD ROOM
TEC NO. 5534581

MGR; STD'S	
APPR. DATE	4-16-98
SUPERSEDES	6-9/3-16-95

10' X 10' X 7'
PRECAST MANHOLE