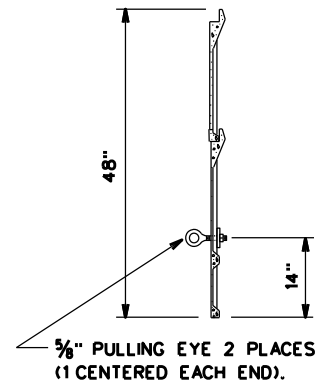
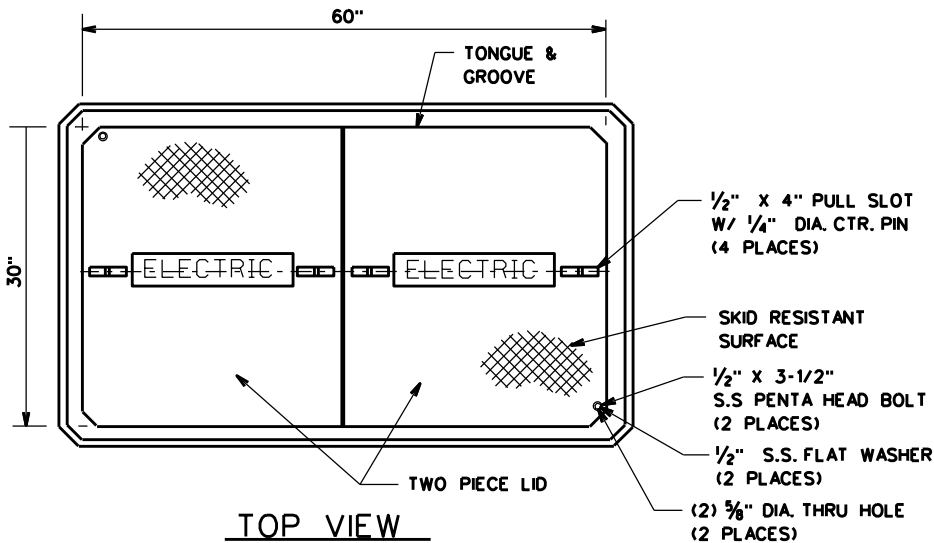
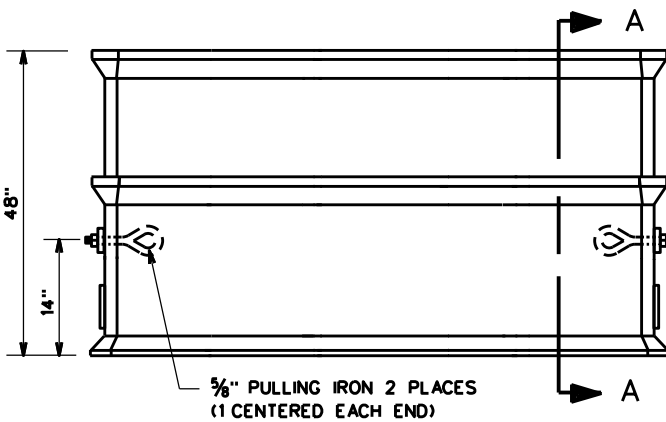


NOTES:

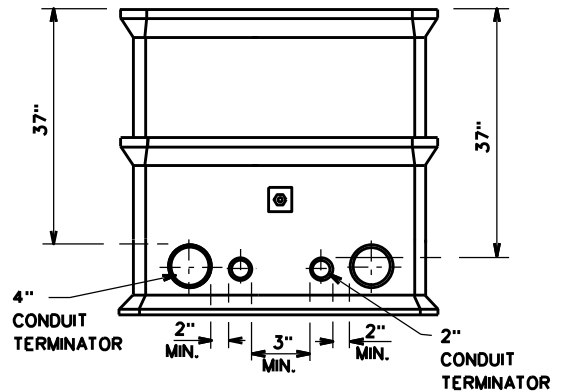
1. BOX WILL ACCOMMODATE (2) THREE-PHASE 1/0 OR 4/0 CIRCUITS AND (2) SINGLE-PHASE CIRCUITS.
2. USE TEC NO. 2004740 TO ORDER COMPLETE PULLBOX; TEC NO. 2004741 FOR TOP 1/2 ONLY.
3. BOTTOM OF PULLBOX TO BE FILLED WITH 3" OF GRAVEL.
4. THIS BOX MAY BE USED IN PLACE OF THE 2' X 5' POURED IN-PLACE PULLBOX.
- ▶ 5. THIS PULLBOX IS NOT FULL TRAFFIC RATED. THIS ASSEMBLY IS RATED FOR A STATIC DESIGN LOAD OF 8,000 LBS. OVER A 10" X 10" AREA AND MUST PASS A STATIC TEST LOAD OF 17,680 LBS.
6. USE CURB MARKER TEC NO. 2005212 ON CURB TO INDICATE MANHOLE/HANDHOLE LOCATION. CURB MARKERS SHOULD BE INSTALLED USING ADHESIVE TEC NO. 2007225.
- ▶ 7. CREWS SHALL INSTALL GROUND RODS, MAKE-UP GROUND WIRE FROM SPLICE AND MEASURE GROUND EARTH RESISTANCE TO BE 25 OHMS OR LESS. GROUND ROD LOCATION TO BE INSIDE ONE OF THE (4) CORNERS OF THE PULLBOX.



SECTION A-A



FRONT VIEW



END VIEW BOTH SIDES

TEC NO. 2004740

▶ DENOTES LATEST REVISION

NO.	CK'D	DATE	REVISION
3			
2	MEM	4-17-03	NOTES 5 AND 7 WERE REVISED.
1	MEM	4-17-03	THE POLYMER PULLBOX WAS REPLACED WITH A 3 PIECE BOX

30" x 60" x 48" POLYMER CONCRETE PULLBOX

FBT/
MGR: STD'S *Bob Shilling*
APPR. DATE 4-17-03
SUPERSEDES 6-7/4-16-98