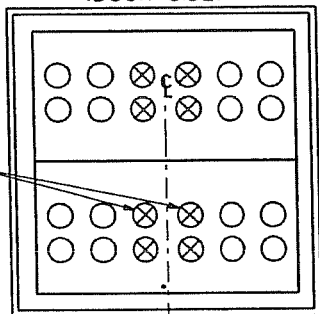


REFERENCES

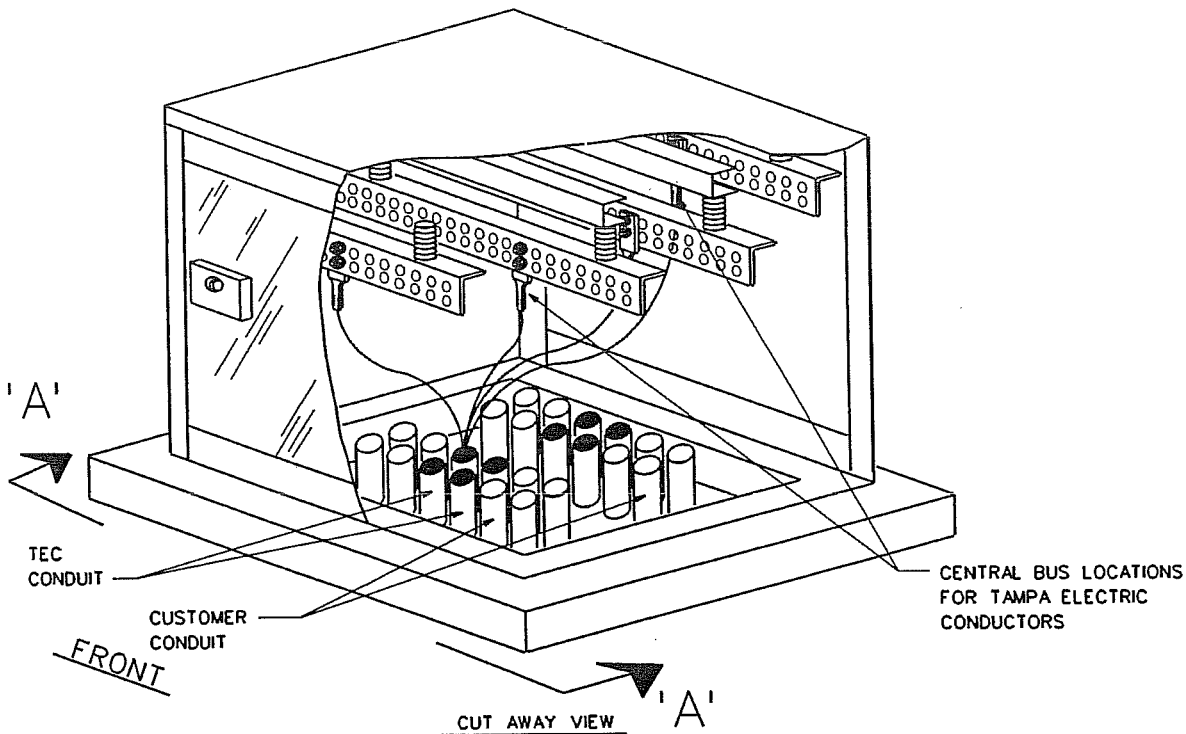
GR&S UG.
 STD. 6-20
 SEC. 4
 SESR 7.28

CONDUIT LOCATION EXAMPLE
 (DOOR SIDE)



TEC CONDUIT

(DOOR SIDE) - FRONT
 DETAIL 'A'



NOTES:

1. ALL SERVICE CONDUITS SHALL STUB UP BETWEEN 1" AND 3" ABOVE PAD WINDOW. TAMPA ELECTRIC CO. CONDUIT WILL BE CENTERED IN THE WINDOW. CUSTOMER CONDUITS WILL BE TO THE RIGHT AND LEFT SIDES OF THE WINDOW.
2. TAMPA ELECTRIC CO. WILL MAKE ALL SECONDARY CONNECTIONS.
3. TAMPA ELECTRIC CO. WILL OCCUPY THE CENTRAL PAD LOCATIONS ON THE BUS.

4			
3			
2			
1	SJM	2-18-10	NEW SPECIFICATION PAGE 3 OF 3
	NO. CK'D	DATE	REVISION

◀ DENOTES LATEST REVISION

PAD-MOUNTED SECONDARY CABINET

Chip S. Whitworth
 MGR: STD'S
 APPR. DATE 2-18-10
 SUPERSEDES