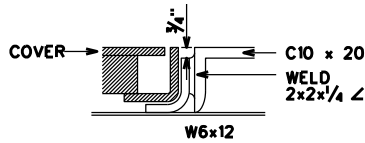


DIMENSIONS	
A	
B	
C	
D	
E	
F	
G	
H	
I	

SHADED AREAS
FRAME & COVER
DETAIL DWG. ATTACHED

MINIMUM REQUIREMENTS ONLY



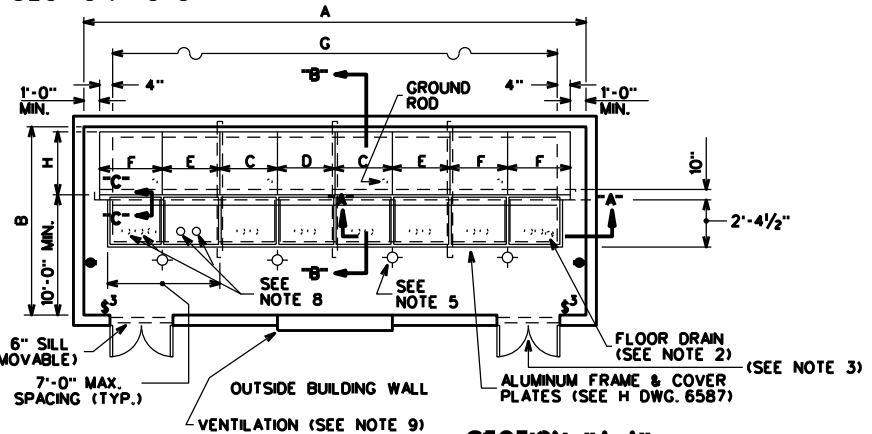
CONTRACTUAL AGREEMENTS AND EASEMENTS OUTLINING THE RESPONSIBILITIES OF TAMPA ELECTRIC COMPANY AND THE CUSTOMER WILL ALWAYS BE REQUIRED. IN NO WAY SHALL THIS REQUIREMENT BE CONSTRUED AS AN APPROVED VAULT CONSTRUCTION DESIGN REQUIREMENT UNLESS PRESENTED IN THE FORM OF A CONTRACTUAL AGREEMENT BETWEEN TAMPA ELECTRIC COMPANY AND THE CUSTOMER. TAMPA ELECTRIC COMPANY ASSUMES NO LIABILITY FOR STRUCTURAL DESIGN SPECIFICATIONS OF ANY VAULT.

VALUES TO BE SPECIFIED BY TEC
NOTE: DIMENSIONS BASED ON SWITCHGEAR PRESENTLY PURCHASED BY TEC.

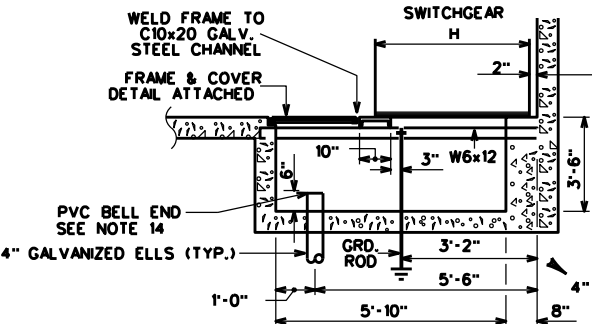
C-INCOMING BAY
D-TIE SWITCH BAY
E-METERING BAY
F-OUTGOING BAY

NOTE: SWITCHGEAR LINEUP TO DETERMINE PIT "G" INSIDE DIMENSION

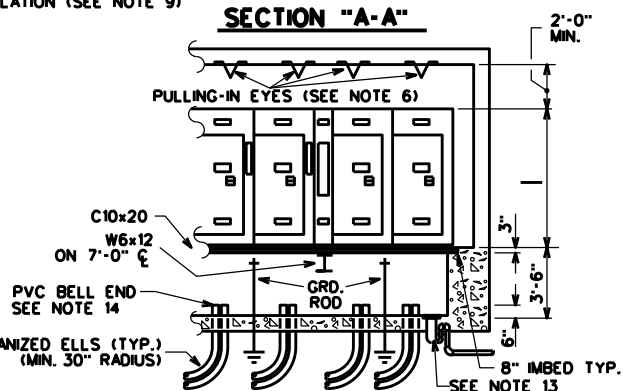
SECTION "C-C"



SECTION "B-B"



SECTION "A-A"



NOTES:

1. THE VAULT STRUCTURE SHALL BE DESIGNED AND CONSTRUCTED ON GRADE WITH DIRECT ACCESS TO BUILDING EXTERIOR ON PUBLIC R/W FOR A MINIMUM 4-HOUR FIRE RATING WITH 6" REMOVABLE SILLS AT ALL OPENINGS.
2. ALL FLOORS SHALL BE SLOPED AT A RATE OF 0.25" (1/4") PER FOOT TO DRAIN.
3. 6'-0" x (1) - 9" ACCESS REQUIRED TO INSTALL OR REMOVE THE SWITCHGEAR.
4. VAULT LIGHTING AND RECEPTAL SYSTEM SHALL BE SERVED FROM THE BUILDING'S EMERGENCY POWER SYSTEM.
5. FLUORESCENT LIGHTING (WET/DAMP) FIXTURES TO BE INSTALLED AS SHOWN WITH A MINIMUM ILLUMINATION OF 30 FT-CANDLES TO ALL OPERATING SIDES OF THE SWITCHGEAR. A MULTIWAY SWITCH TO CONTROL THE LIGHT SHALL BE INSTALLED AT EACH DOOR AND TWO CONVENIENCE OUTLETS PER VAULT. USE RIGID GALVANIZED CONDUIT (PVC NOT ACCEPTABLE) ON EXPOSED INSTALLATIONS.
6. PULLING-IN-IRONS SHALL BE INSTALLED ABOVE EACH CONDUIT ENTRANCE AND WELDED TO REBAR IN VAULT CEILING AS SHOWN. PULLING-IN-IRONS TO BE A.B. CHANCE CO. CATALOG NO. 8120 OR EQUIVALENT WITH A 20,000 LB ULTIMATE TENSILE STRENGTH.
7. ISOLATED GROUND GRID CONSTRUCTED OF 1/2 INCH DIAMETER COPPER BONDED ROD(S) INSTALLED BELOW THE LOWEST FLOOR SLAB. EACH GROUND ROD SHALL BE MEGGERED TO 25 OHMS OR LESS. THE GROUND RODS IN THE GRID SHALL BE CONNECTED TOGETHER BY A CONTINUOUS CONDUCTOR OF 4/0 AWG STRANDED COPPER. ALL CONNECTIONS SHALL BE BONDED TOGETHER THROUGH AN EXOTHERMIC PROCESS. THIS CONNECTION SYSTEM SHALL BE INSTALLED PRIOR TO POURING THE FLOOR. COMPLETED ISOLATED GRID SHALL MEGGER TO 5 OHMS OR LESS.
8. THE OWNER SHALL EXTEND THE PVC DUCT BANK FOR TEC CABLES 2 FEET BEYOND DESIGNATED PROPERTY LINE (DEPTH AT P/L AND CONDUIT SIZE TO BE DETERMINED BY TEC). USE RIGID GALVANIZED ELBOWS (IF 2" OR GREATER)-PVC NOT ACCEPTABLE ON EXPOSED INSTALLATIONS.
9. NATURAL VENTILATION SCREENED LOUVERS LABELED CLASS "A" 3-HOUR FIRE DAMPER.
10. ACCESS DOORS TO BE 3'-0" x 7'-0". EACH DOOR SHALL BE LABELED CLASS "A" 3-HOUR FIRE RATING. ENTRANCE DOOR LOCKSET REQUIREMENTS: COMMERCIAL GRADE HEAVY DUTY CYLINDRICAL STAINLESS STEEL, REMOVABLE CORE CYLINDER AND "GA" KEYWAY-YALE SECURITY PRODUCTS, SERIES 5405. OWNER TO REMOVE CORE CYLINDER AND HAVE KEYED FOR TEC SUBSTATION MASTER KEY. COORDINATE THROUGH TEC SECURITY DEPARTMENT.
11. ALL CONDUITS TO BE SEALED BY OWNER WITH GOVERNING FIRE MARSHAL APPROVED FIRE SEALS.
12. VAULT DESIGN TO MEET ALL THE REQUIREMENTS OF THE GOVERNING FIRE MARSHAL AND THE NATIONAL ELECTRICAL CODE, LATEST REVISIONS.
13. JOSAM NO. 30503-5A COMBINED TRAP AND DRAIN OR EQUIVALENT TO CUSTOMER STORM DRAINAGE SYSTEM.
14. FOR 4" CONDUIT USE 4" PVC BELL END TEC NO. 2004534.

NO.	CK'D	DATE	REVISION
4	S.JH	7-30-14	REVISED NOTE 8
3	S.JH	7-30-14	CHANGED OUT FIBERGLASS ELBOWS TO GALVANIZED
2	S.JH	5-19-11	ADDED NEW NOTE 14, & PVC BELL ENDS
1	S.JH	5-19-11	REVISED NOTE 8, CHANGED GALV. ELLS TO FIBERGLASS

◀ DENOTES LATEST REVISION

VAULT SPACE REQUIREMENTS FOR METAL ENCLOSED SWITCHGEAR

MGR: STD'S
APPR. DATE: 7-30-14
SUPERSEDES: 13-27/5-19-11