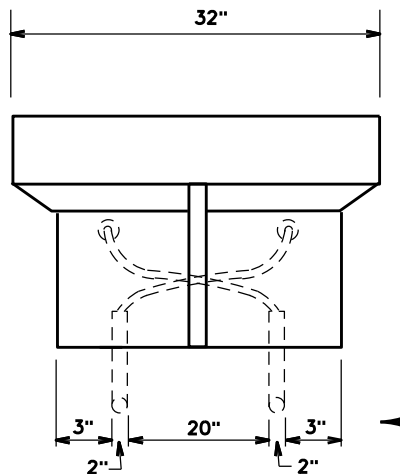
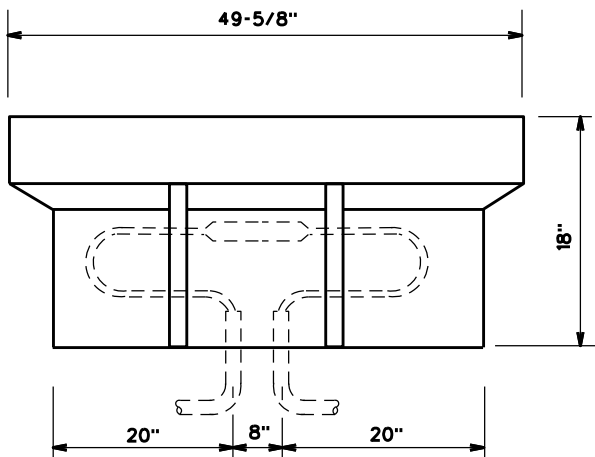
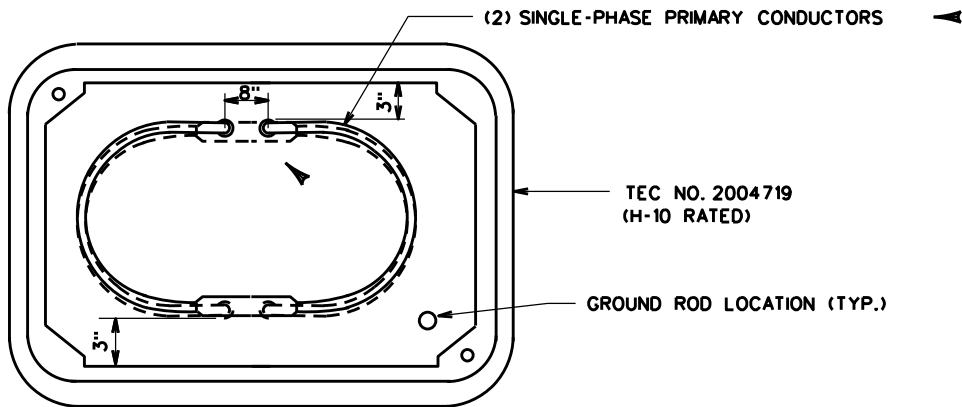


COVER

NOTES:

- ▶ 1. THIS BOX MAY BE USED FOR MULTIPLE RUNS OF SECONDARY CONDUCTOR OR FOR TWO (2) SINGLE-PHASE PRIMARY CONDUCTORS.
- 2. ACCEPTABLE FOR LIGHT TRAFFIC. H-10 RATED (10,400 LBS. OR LESS).
- 3. FOR PLACEMENT OF CONDUITS ON SECONDARY CONNECTIONS SEE SPECIFICATIONS 9-5.
- 4. USE CURB MARKER TEC NO. 2005212 ON CURB TO INDICATE MANHOLE/HANDHOLE LOCATION. CURB MARKERS SHOULD BE INSTALLED USING ADHESIVE TEC NO. 2007225.
- 5. TEC CREWS SHALL INSTALL GROUND RODS, MAKE-UP GROUND WIRE FROM SPLICE AND MEASURE GROUND EARTH RESISTANCE TO BE 25 OHMS OR LESS.



◀ DENOTES LATEST REVISION

NO.	CK'D	DATE	REVISION
3			
2	SWM	8-18-05	ADDED DIMENSIONS
1	SWM	8-18-05	REVISED NOTE 1 & REF. BLOCK, ADDED ANOTHER PRIMARY

30" X 48" X 18"

SPLICEBOX/LIGHT TRAFFIC HANDHOLE

TAMPA ELECTRIC CO. STANDARDS GENERAL RULES & SPECIFICATIONS UG.

MGR: STD'S *Bob Shilling*
APPR. DATE 8-18-05
SUPERSEDES 6-21/10-21-99