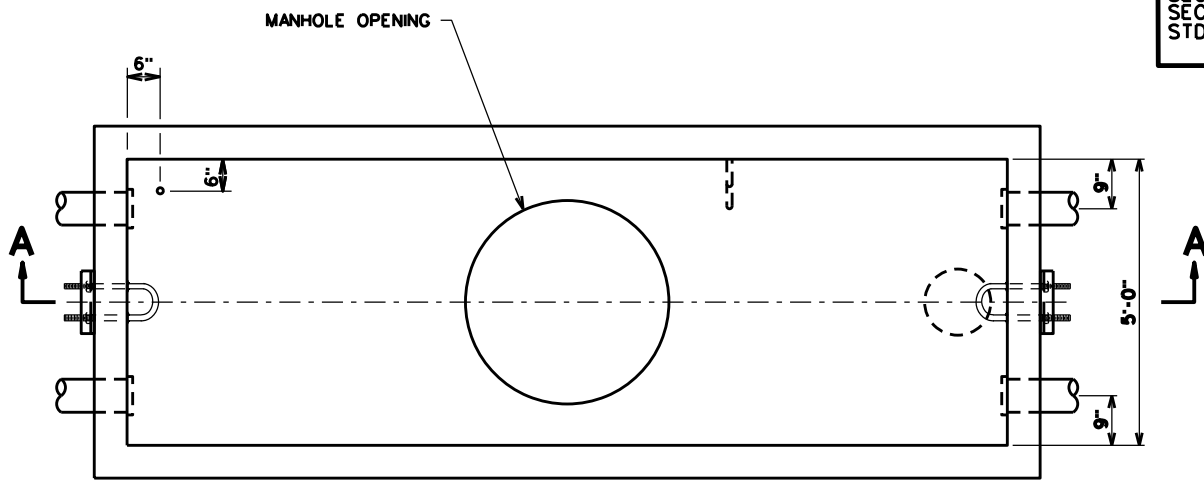
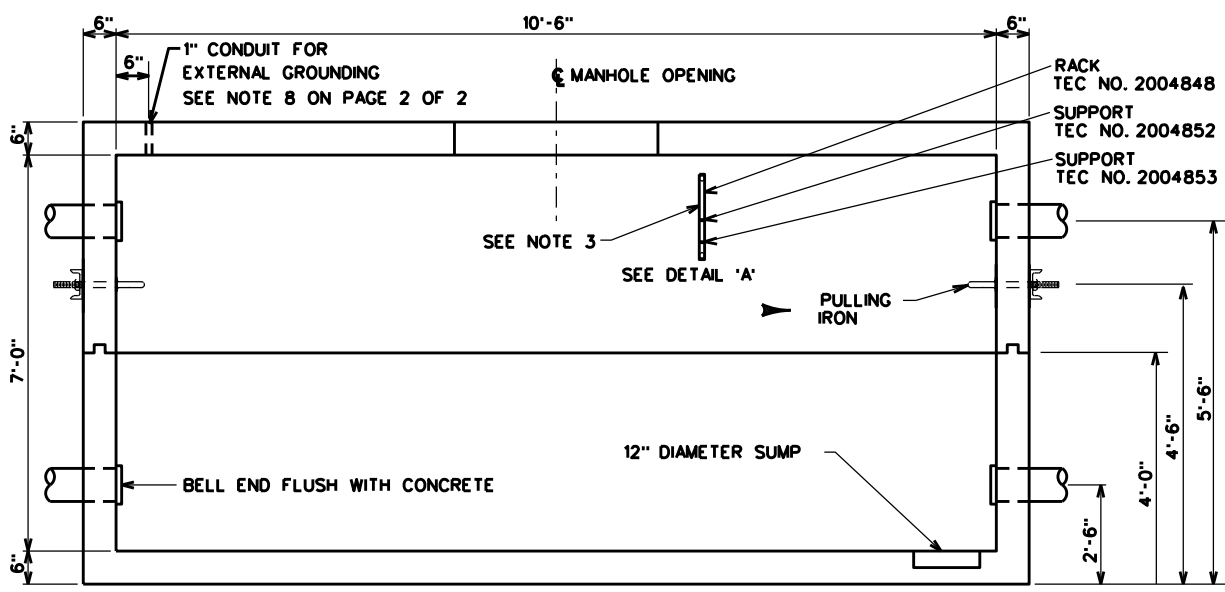


REFERENCES
GR&S UG.
INDEX
SEC. 2
SEC. 8
STD. 7-15

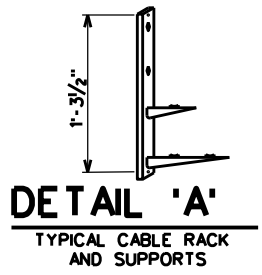


PLAN VIEW



SECTION A-A

- NOTES:
1. BOX WILL ACCOMMODATE (2) TWO 1000 MCM PRIMARY CIRCUITS.
 2. WHEN INSTALLING PRIMARY CABLE, USE LOWER CONDUIT AND RACKS.
 3. CABLE RACKS AND SUPPORTS TO BE INSTALLED AS NEEDED TO SUPPORT CABLE.
 4. LOAD CLASS H20 RATING. (H20 RATING IS 32,000 LBS. SINGLE AXLE LOAD OVER A 10" X 20" AREA.)



◀ DENOTES LATEST REVISION

AM/
MGR: STD'S *Bob Shickling*
APPR. DATE 1-16-97
SUPERSEDES 6-3/3-16-95

**PRECAST 5' X 10'-6" X 7' CONCRETE
PULLBOX/SPLICEBOX**